

The information contained in this drawing is the sole property of Coil Winding Specialist Inc (CWS). Any reproduction in part or whole without written permission of CWS is prohibited.

REVISION HISTORY

REV	ECN	DESCRIPTION	BY	DATE	AP.	DATE
A		Production release	JL	7/28/17	JL	7/28/17

EI-175

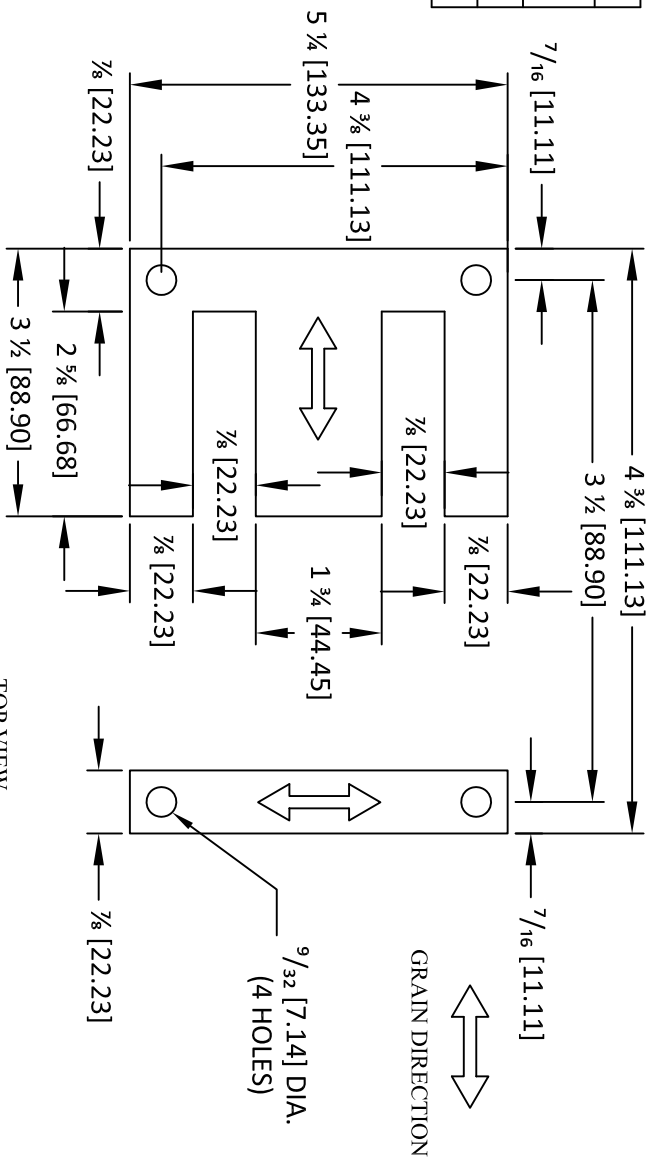
Material = M6, M19, M50

Electrical Steel Specifications				
Gage	Thickness	Approximate Sets Per Inch	Lbs. Per 1,000 Sets	Sets per Pound
26	0.0185	54.05	91.756	10.9
29	0.014	71.43	68.586	14.58

Technical Specifications			
Window Area	2.297 in ²	14.819 cm ²	
Magnetic Path Length	10.500 in	26.670 cm	
Cross Section Area, Solid	3.0625 in ²	19.758 cm ²	
Volume Solid	31.688 in ³	519.271 cm ³	

Dimensional Tolerances		
	Inches	Millimeters
With Grain	± 0.003	± 0.0762
Cross Grain	± 1/32	± 0.79375
All Lengths	± 0.005	± 0.127
Center Leg Size	± 0.003	± 0.0762
Window Size	± 0.003	± 0.0762
Hole Locations	± 0.003	± 0.0762

Part Numbering:
EI-175-GageMaterial
e.g. EI-175-29M6



CODE IDENT	MFG. P/N	DESCRIPTION	ITEM NO.
		PARTS LIST	
AUTOCAD	X	CWSBYTEMARK	
SOLIDWORKS		www.coilws.com	
SIGN	DATE	353 West Grove Ave. Orange, CA	
		92865	
UNLESS OTHERWISE SPECIFIED		TITLE:	
DIMENSIONING AND TOLERANCE PER ANSI Y14.5M		EI-175 Lamination	
ALL DIMENSIONS ARE IN INCHES AND [MILLIMETERS].		SIZE [Dwg. No.]	
TOLERANCE INCHES: $\pm .0030$		B	
TOLERANCE METRICS: $\pm .0762$		N/A	
ANGLE PROJECTION: ± 127		SCALE	
DO NOT SCALE DRAWING			
DRAWN	DATE	ENGR.	DATE
JL	7/28/17	JL	7/28/17
APPR.	DATE	APPR.	DATE
JL	7/28/17	JL	7/28/17