

The information contained in this drawing is the sole property of Coil Winding Specialist Inc (CWS). Any reproduction in part or whole without written permission of CWS is prohibited.

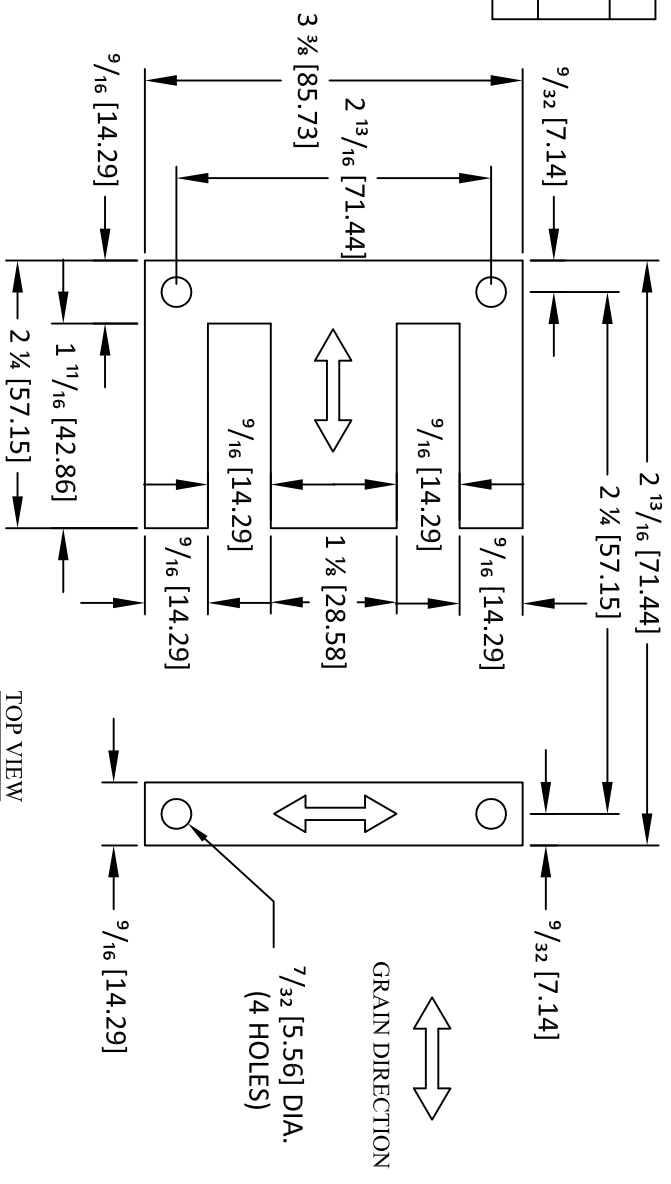
Material = M6  
 Grain oriented 3.3% SiFe

Electrical Steel Specifications			
Gage	Thickness	Approximate Sets Per Inch	Lbs. Per 1,000 Sets
29	0.014	71.43	28.162
			Sets per Pound
			35.5

Technical Specifications			
Window Area	0.949 in <sup>2</sup>	6.124 cm <sup>2</sup>	
Magnetic Path Length	6.750 in	17.145 cm	
Cross Section Area, Solid	1.266 in <sup>2</sup>	8.166 cm <sup>2</sup>	
Volume Solid	8.232 in <sup>3</sup>	134.982 cm <sup>3</sup>	

Dimensional Tolerances		
	Inches	Millimeters
With Grain	± 0.003	± 0.0762
Cross Grain	± 1/32	± 0.79375
All Lengths	± 0.005	± 0.127
Center Leg Size	± 0.003	± 0.0762
Window Size	± 0.003	± 0.0762
Hole Locations	± 0.003	± 0.0762

REVISION HISTORY			
REV	ECN	DESCRIPTION	SIGN & DATE
			BY DATE AP. DATE
A		Production release	JL 7/28/17 JL 7/28/17



Note:  
 Dimension in inches [mm]

CODE IDENT	MFG. P/N	DESCRIPTION	ITEM NO.
		<b>PARTS LIST</b>	
AUTOCAD	X	CWSBYTEMARK	
SOLIDWORKS		www.coilws.com	
SIGN	DATE	353 West Grove Ave. Orange, CA	
		www.cwsbytemark.com	
		92865	
UNLESS OTHERWISE SPECIFIED			
DIMENSIONING AND TOLERANCE PER ANSI Y14.5M			
ALL DIMENSIONS ARE IN INCHES AND [MILLIMETERS].			
DRAWN	DATE	TITLE:	
JL	7/28/17	EI-112 Lamination	
ENGR.	DATE	SIZE	DWG. NO.
JL	7/28/17	B	EI-112 29 M6
APPR.	DATE	SCALE	REV
JL	7/28/17	N/A	A
TOLERANCE INCHES: $\pm$ +0°30'			
XXX-±.127 XX-±.38			
ANGLE PROJECTION $\rightarrow$			
DO NOT SCALE DRAWING			