

The information contained in this drawing is the sole property of Coil Winding Specialist Inc (CWS). Any reproduction in part or whole without written permission of CWS is prohibited.

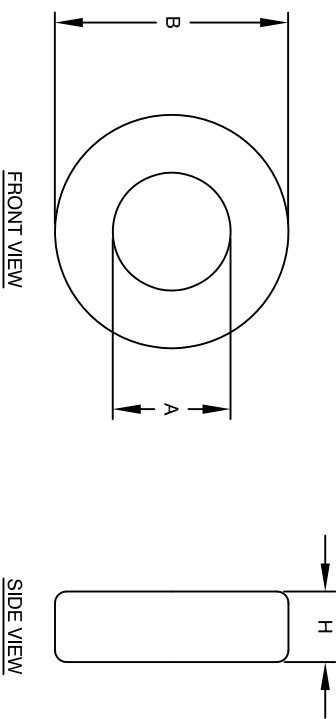
REVISION HISTORY						
REV	ECN	DESCRIPTION	BY	DATE	CHK	DATE
A		INITIAL RELEASE	JL	02/21/17	JM	02/21/17

**Features**

- High Permeability (30-80k), high Impedance Z and high Insertion attenuation
- Suppresses the asymmetrical EMI currents
- High saturation Flux density can reduce over voltage peaks
- High Curie Temperature and excellent temperature chracteristics
- Core Type: Nanocrystalline, NanoByte™

Electrical Specifications				
Item	Units	Condition	Value	Tol.
$A_i$	$\mu\text{H}/\text{N}^2$	@ 10KHz	45.8 - 91.5	N/A
$A_i$	$\mu\text{H}/\text{N}^2$	@ 100KHz	15.5	N/A
Permeability @ H peak 3.16 mA/cm	$\mu_0$	@ 10KHz	60000	±25%
$A_e$	$\text{cm}^2$	N/A	1.86	±10%
$L_e$	cm	N/A	22.36	±10%
$L_e \times N$	mA x turn	@ 10KHz	50	±10%
$L_e \times N$	mA x turn	@ 100KHz	50	±10%
Saturation Flux Density	T	N/A	1.2	Max.
Curie Temperature	°C	N/A	580	Nom.

Dimensions and Tolerances				
	in	tol.	mm	tol.
<b>Core Only</b>				
B (Outer Diameter)	3.15	±0.40	80	±1
A (Inner Diameter)	2.48	±0.40	63	±1
H (Height)	1.18	±0.40	30	±1
<b>With Case On</b>				
B (Outer Diameter)	3.35	±0.40	85	±1
A (Inner Diameter)	2.24	±0.40	57	±1
H (Height)	1.40	±0.40	35.5	±1



CODE IDENT	MFG. P/N	DESCRIPTION	ITEM NO.
<b>PARTS LIST</b>			
AUTOCAD SOLIDWORKS SIGN	X	www.coi/wcs.com www.cwsbytemark.com	CWSBYTEMARK 353 W Grove Ave Orange, CA 92665
DRWN JL	02/21/17	TITLE: Nanocrystalline Core	
DESD JL	02/21/17	SIZE (INCH. NO.): N/A	
ENGR. JM	02/21/17	APPR. JM	02/21/17
TOLERANCE RULES: XXX±.005 XX±.015 TOLERANCE METRICS: XXX±.127 XX±.38		SCALE: N/A	
UNLESS OTHERWISE SPECIFIED DIMENSIONING AND TOLERANCE PER ANSI Y14.5M AND (DIMETERS) TOLERANCE RULES: XXX±.005 XX±.015 TOLERANCE METRICS: XXX±.127 XX±.38		SHEET 1 OF 1	