

The information contained in this drawing is the sole property of Coil Winding Specialist Inc (CWS). Any reproduction in part or whole without written permission of CWS is prohibited.

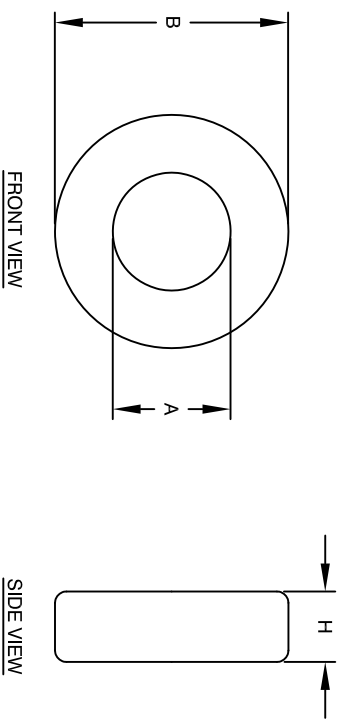
REVISION HISTORY						
REV	ECN	DESCRIPTION	BY	DATE	CHK	DATE
A		INITIAL RELEASE	JL	02/21/17	JM	02/21/17

Features

- High Permeability (10-30k), high Impedance Z and high insertion attenuation
- Suppresses the asymmetrical EMI currents
- High saturation Flux density can reduce over voltage peaks
- High Curie Temperature and excellent temperature chracteristics
- Core Type: Nanocrystalline, NanoByte™

Electrical Specifications				
Item	Units	Condition	Value	Tol.
A_i	$\mu\text{H}/\text{N}^2$	@ 10KHz	10.4 - 20.8	N/A
A_o	$\mu\text{H}/\text{N}^2$	@ 100KHz	7.3 - 14.6	N/A
Permeability @ H peak 3.0 mA/cm	μ_0	@ 10KHz	23000	±25%
Permeability @ H peak 3.0 mA/cm	μ_0	@ 100KHz	16000	±25%
A_e	cm^2	N/A	0.73	±10%
L_e	cm	N/A	14.08	±10%
$L_e \times N$	mA x turn	@ 10KHz	30	±10%
$L_e \times N$	mA x turn	@ 100KHz	30	±10%
Saturation Flux Density	T	N/A	1.2	Max.
Curie Temperature	°C	N/A	580	Nom.

Dimensions and Tolerances				
	in	tol.	mm	tol.
Core Only				
B (Outer Diameter)	1.97	±0.40	50	±1
A (Inner Diameter)	1.57	±0.40	40	±1
H (Height)	0.79	±0.40	20	±1
With Case On				
B (Outer Diameter)	2.10	±0.40	53.4	±1
A (Inner Diameter)	1.44	±0.40	36.6	±1
H (Height)	0.93	±0.40	23.5	±1



UNLESS OTHERWISE SPECIFIED		www.cowlvs.com		CWSBYTEMARK	
DIMENSIONING AND TOLERANCE PER ANSI Y14.5M		www.cwsbyte.com		353 W Grove Ave Orange, CA 92665	
ALL DIMENSIONS ARE IN INCHES AND [MILLIMETERS]		DRAWN JL		DATE 02/21/17	
TOLERANCE RANGES: .XX±.005 .XX±.015 .XX±.127 .XX±.38		ENGR. JM		DATE 02/21/17	
ANGLE PROJECTION		APP. JM		DATE 02/21/17	
DO NOT SCALE DRAWING		SCALE N/A		SHEET 1 OF 1	

CODE IDENT	MFG. P/N	DESCRIPTION	ITEM NO.
PARTS LIST			
Nanocrystalline Core			
CNS50-40-20F			