

The information contained in this drawing is the sole property of Coil Winding Specialist Inc (CWS). Any reproduction in part or whole without written permission of CWS is prohibited.

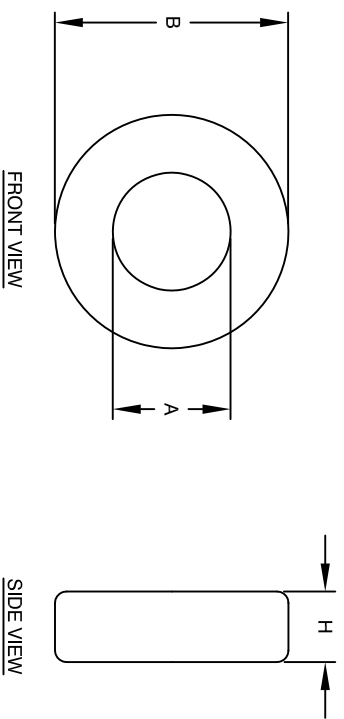
REVISION HISTORY						
REV	ECN	DESCRIPTION	BY	DATE	CHK	DATE
A		INITIAL RELEASE	JL	02/21/17	JM	02/21/17

Features

- High Permeability (90k), high impedance Z and high insertion attenuation
- Suppresses the asymmetrical EMI currents
- High saturation Flux density can reduce over voltage peaks
- High Curie Temperature and excellent temperature chracteristics
- Core Type: Nanocrystalline, NanoByte™

Electrical Specifications				
Item	Units	Condition	Value	Tol.
A_L	$\mu\text{H}/\text{N}^2$	@ 10KHz	40 - 80	N/A
A_L	$\mu\text{H}/\text{N}^2$	@ 100KHz	10	N/A
Permeability @ H peak 3.65 mA/cm	μ_0	@ 10KHz	90000	±25%
A_e	cm^2	N/A	0.38	±10%
L_e	cm	N/A	7.75	±10%
$L_e \times N$	mA x turn	@ 10KHz	20	±10%
$L_e \times N$	mA x turn	@ 100KHz	20	±10%
Saturation Flux Density	T	N/A	1.2	Max.
Curie Temperature	°C	N/A	580	Nom.

Dimensions and Tolerances				
	in	tol.	mm	tol.
Core Only				
B (Outer Diameter)	1.17	±0.40	30	±1
A (Inner Diameter)	0.79	±0.40	20	±1
H (Height)	0.39	±0.40	10	±1
With Case On				
B (Outer Diameter)	1.30	±0.40	32.9	±1
A (Inner Diameter)	0.70	±0.40	17.7	±1
H (Height)	0.50	±0.40	12.6	±1



CODE IDENT	MFG. P/N	DESCRIPTION	ITEM NO.
PARTS LIST			
AUTOCAD	X	www.coi/wcs.com	CWSBYTEMARK
SOLIDWORKS		www.cwsbytemark.com	353 W Grove Ave Orange, CA 92665
DRWN	JL	02/21/17	
CHKD	JM	02/21/17	
ENGR.	JM	02/21/17	
APPR.	JM	02/21/17	
TITLE		Nanocrystalline Core	
SIZE (INCH. NO.)		CN30-20-10G	
SCALE		N/A	
TOLERANCE NOTES: XXX±.005 XX±.015 TOLERANCE METRICS: XXX±.127 XX±.38		ANGLE PROJECTION	
DO NOT SCALE DRAWING			