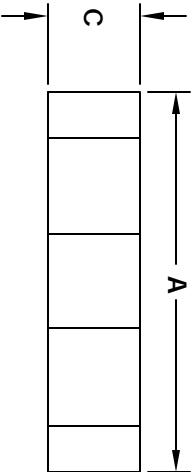
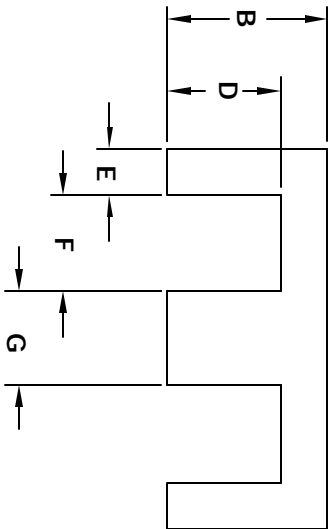


The information contained in this drawing is the sole property of CWS/BytelMark. Any reproduction in part or whole without written permission of CWS/BytelMark is prohibited.

REVISION HISTORY			
REV	ECN	DESCRIPTION	DATE
B		PRE-PRODUCTION RELEASE	10/18/03



INDUCTANCE RANGE = SEE CHART TABLE
 SPECIFICATIONS:

- BOBBIN RATING CLASS B (130°C) IF NEEDED
 - MATERIAL: UL RECOGNIZED 94V-0 FOR FLAMMABILITY
- NOTES: UNLESS OTHERWISE SPECIFIED.

QTY	CODE IDENT	MFG. P/N	DESCRIPTION	ITEM NO.
	AUTOCAD SOLIDWORKS	X	CWS/BytelMark PARTS LIST	
	UNLESS OTHERWISE SPECIFIED			
	DRAWING AND TOLERANCE PER FIG 11.52M			
	ALL DIMENSIONS ARE IN NOTES AND [DIMENSIONS]			
	TOLERANCE INCHES	±.030		
	TOLERANCE METERS	±.005		
	APPR.	10/16/03		
	SCALE	4=1		
	DO NOT SCALE DRAWING			